

MATRIX PREMIUM LED (PLED) CONSOLE with Matrix TV & CAB FOR CABLE/SATELLITE BOX CONTROL

Premium LED

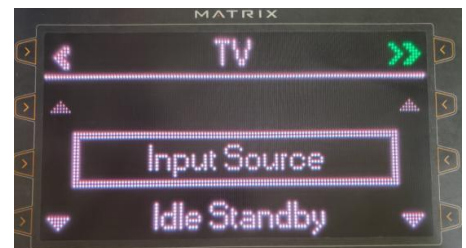


10/2022

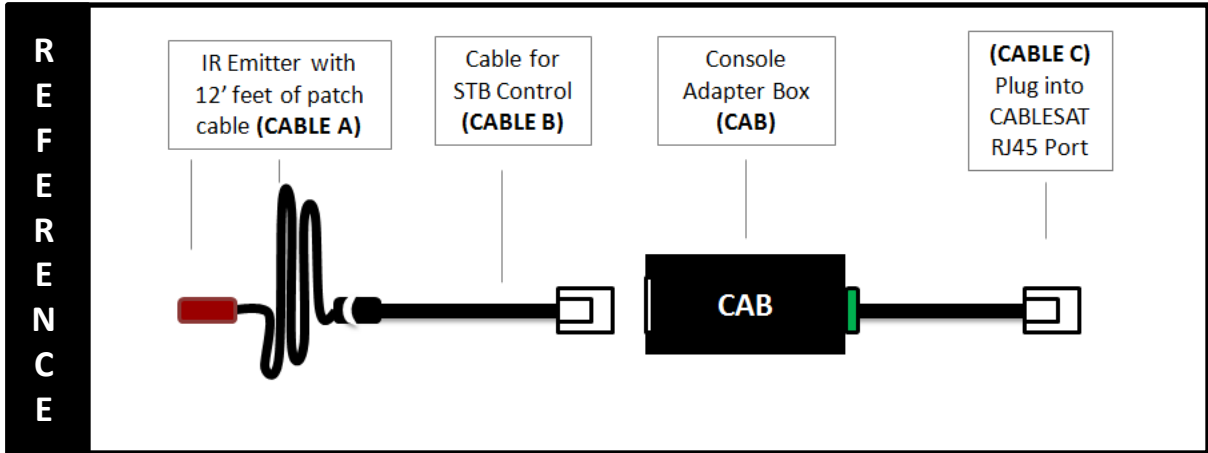
ACCESS MENU ON CONSOLE TO SET UP FOR CAB CONTROL

We recommend first setting up the console for CAB control.

1. Press 3001 ✓ on bottom right numeric overlay keypad.
2. Use + and – symbols to scroll to **Advanced Options**, press ✓.
3. Use + and – symbols to scroll to **TV**, press ✓.
4. Use + and – symbols to scroll to **Input Source**, press ✓.
5. Use + and – symbols to scroll to **TV**, press ✓.
6. Use the top left > to exit to the home screen.
7. Press the **TV icon** to power on the tv. You will now have Green LEDs.
8. Use the entertainment overlay keypad to enter the Channel Scan code found in the chart below:

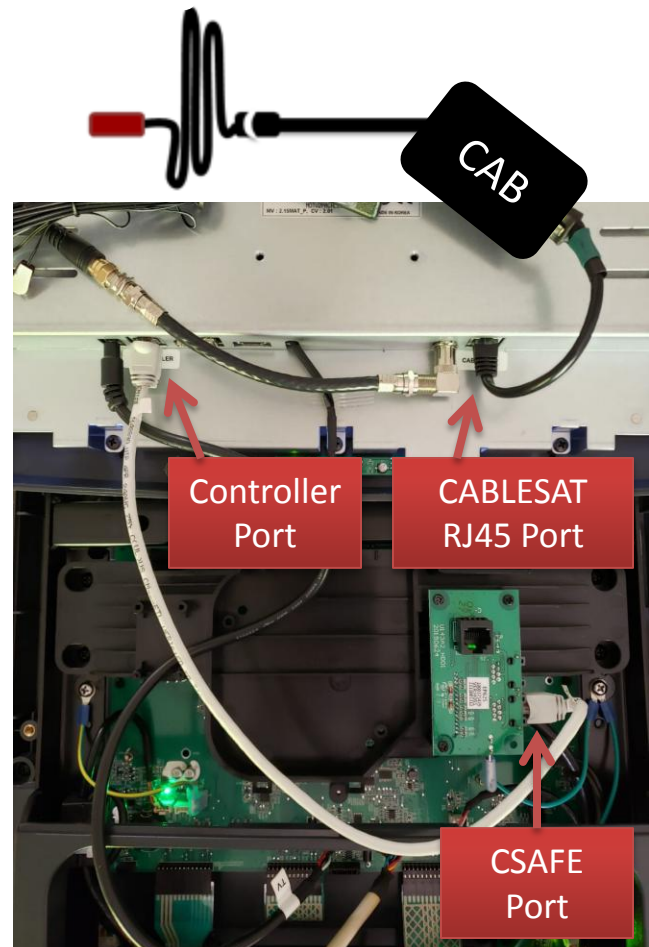


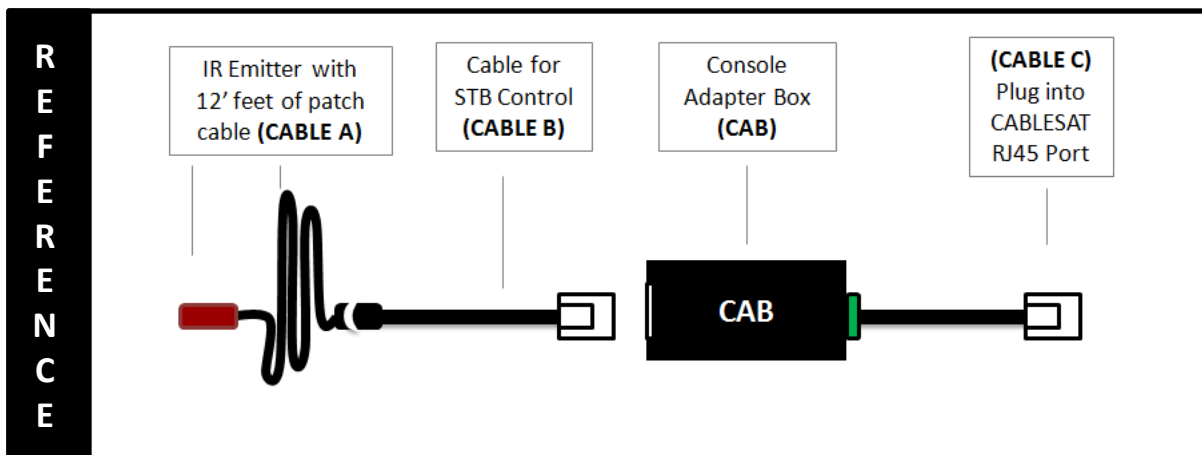
Menu/Task	Code
Channel Scan	0001
Main Menu	0002
Custom Features	0003



How to Install the CAB

1. Remove the back shroud from the Matrix PLED console. Looking at the back of the TV, confirm there is a white or tan cable plugged into the controller port on the TV. You will see this located on the left side next to the power port. This travels down and should be plugged in at the bottom, side port on the c-safe board.
2. If not already pre-assembled, plug the Green banded side of the CAB into the CAB. The other end (CABLE C) will plug into the RJ45 port labeled CABLESAT on the TV.
3. Connect (CABLE B) into the other side of the CAB. You can plug (CABLE A) which is a 12 foot IR cable that is used when the cable or satellite box is next to the cardio equipment or you can use the adapters included that will allow you to extend the IR signal over CAT5.





4. If the cable, satellite or IPTV box (set top box) is located next to the cardio equipment, remove the backing on the IR emitter (CABLE A) and stick onto the set top box (over the IR eye on the STB). Place the IR shield over the IR emitter to help secure the emitter to the STB and to eliminate bleeding of IR signal.
5. Press the channel controls on the console to confirm the channels are changing and to confirm CAB is operating correctly.

Note: If you cannot see where the IR eye is on the front of the STB, shining a flashlight at the front of the box will usually help you to see the IR eye. Please see the IR eye locations of some of the most common STB's below:



Troubleshooting

Double button presses – Some set top boxes respond to more than one of the IR codes that we send out. If you notice that pressing a channel button on the console results in multiple channel changes, simply remove the 2 screws that hold the lid on the CAB and turn on dip switch 2 and 4. If this does not solve the problem, call (888)330-4283 ext.3 for further assistance.

No control over set top box

Check if CAB is getting power and channel commands from the console – CAB contains internal LED power lights. Two indicator LEDs are located on either side of the console-side connector inside the enclosure.

- **GREEN** - Power LED, on whenever the CAB is powered
 - **RED** - Activity LED, flashes whenever the CAB receives and processes commands
- The location of the LEDs is such that they should be visible through the enclosure around the CAB connector to the console.

Incorrect IR emitter placement – If the IR emitter is not in the correct location on the front of the box you may need to move it around until you find the location that works.

Tip: Try initially holding the IR emitter away from the front of the STB initially then continue pressing the channel button while “zeroing in” on the correct IR emitter placement.

Set top box is in RF mode – change to IR mode – Many set top boxes can operate with a hand-held remote in RF or IR mode. For the CAB to function, it is critical that the STB accepts IR channel commands. To test if the STB is in RF mode, place your hand over the hand-held remote control IR transmitter and see if the STB receives channel change commands. If the answer is yes, the STB is in RF mode. Check online for instructions to change the STB remote control mode from RF to IR.

Troubleshooting (continued)

No control over set top box (continued)

IR signal strength issue – In rare circumstances, the CAB may output too strong of an IR signal for the set top box IR receiver. To test if the IR emitter is over-driving the set top box receiver, pull the emitter away from the front of the set top box, and press the channel button to see if the set top box now receives the channel.

No Continuity between CAB and IR emitter – In some circumstances utilizing the “Far” set top box scenario, the CAT5/6 cable between the set top box and the CAB may not provide full continuity through wall plates etc. It may be helpful to re-locate the STB at the base of the cardio and re-test. Or, it may be helpful to temporarily run an alternate CAT5/6 cable from the CAB to the set top box then re-test.

CAB not programmed for the correct set top box - Your CAB is defaulted for Broadcastvision’s popular “Unicode” setting which provides control of the most popular cable, satellite and IPTV set top boxes.

The CAB can be quickly configured on site to operate other popular set top boxes by flipping dip switches inside the CAB enclosure as pictured below. All CABs are shipped pre-programmed what we call unicode. Unicode works with most of the well known providers. If for some reason the CAB is not operational, please call Broadcastvision support at **888.330.4283 x 3** to determine the dip switch settings for your cable, satellite, or IPTV provider.

Note: When the CAB is shipped pre-programmed, the dipswitch setting will be in the OFF position.

