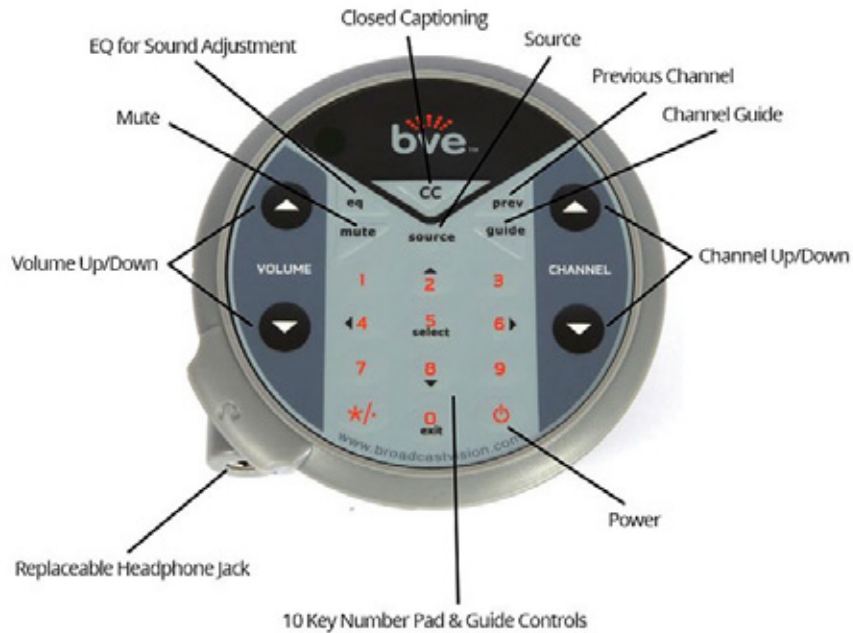


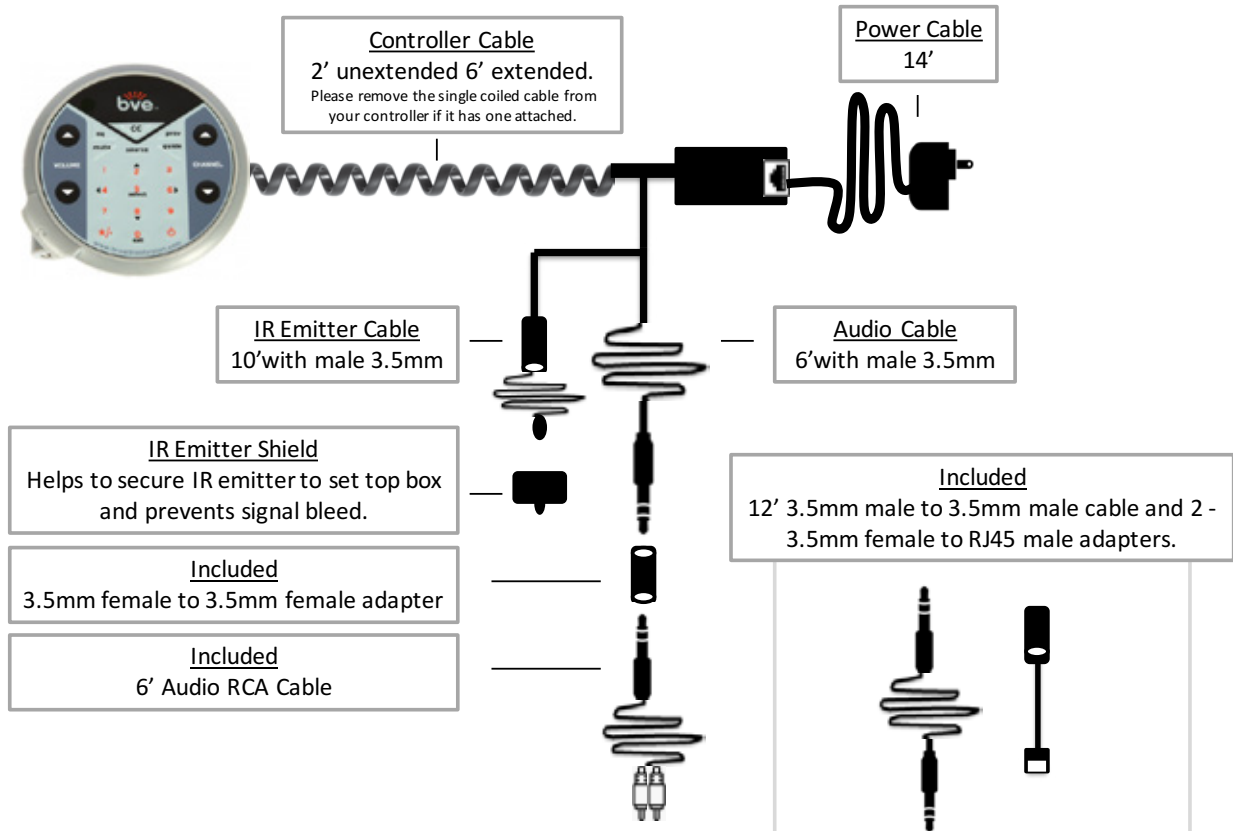
The Axxess Universal Controller



Manual for connecting the Axxess Controller to cardio equipment with cable, satellite or IPTV set top boxes using the **NAOIR** cable.



Package Contents & Descriptions



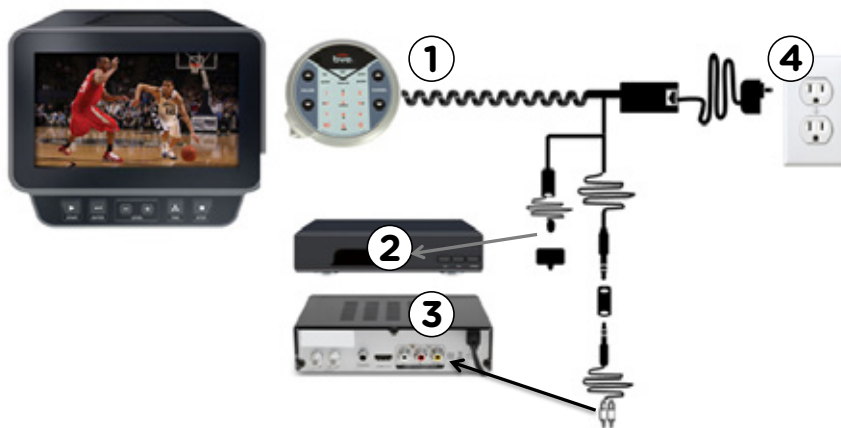
A

CABLE/SAT BOX NEXT TO CARDIO EQUIPMENT GET POWER NEXT TO CARDIO EQUIPMENT AUDIO FROM AUDIO OUTPUT OF CABLE/SAT BOX (IF AVAILABLE)



IMPORTANT! Please remove the single coiled cable from your controller if it has one attached.

- 1 Remove the base of the controller by loosening the screw. Plug the end of the curly cable into the controller & reattach the base. Attach the controller onto the cardio equipment using the tie straps.
- 2 Stick the IR emitter over the IR eye on the front of the cable/sat box. Cover the IR emitter with the IR shield.
- 3 Plug the audio cables into the audio output of the the cable/sat box.
- 4 Plug the power adapter into a standard 110v outlet or power strip.



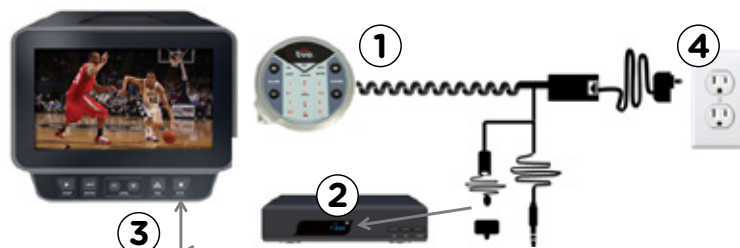
B

CABLE/SAT BOX NEXT TO CARDIO EQUIPMENT GET POWER NEXT TO CARDIO EQUIPMENT AUDIO FROM HEADPHONE JACK OF CARDIO EQUIPMENT



IMPORTANT! Please remove the single coiled cable from your controller if it has one attached.

- 1 Remove the base of the controller by loosening the screw. Plug the end of the curly cable into the controller & reattach the base. Attach the controller onto the cardio equipment using the tie straps.
- 2 Stick the IR emitter over the IR eye on the front of the cable/sat box. Cover the IR emitter with the IR shield.
- 3 Plug the 3.5mm audio cable into the headphone jack of the cardio equipment.
- 4 Plug the power adapter into a standard 110v outlet or power strip.



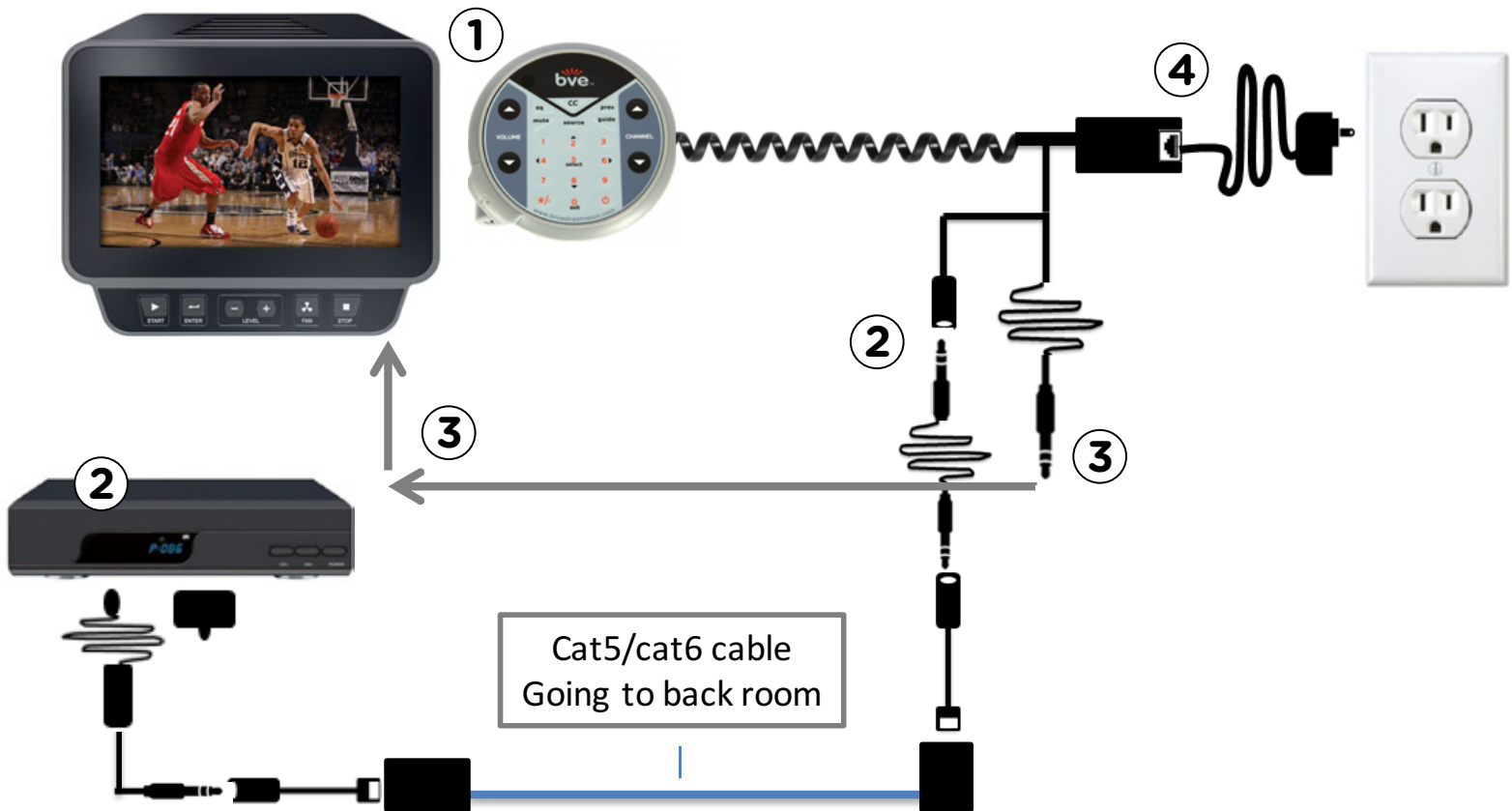


CABLE/SAT BOX AWAY FROM CARDIO EQUIPMENT GET POWER NEXT TO CARDIO EQUIPMENT AUDIO FROM HEADPHONE JACK OF CARDIO EQUIPMENT



IMPORTANT! Please remove the single coiled cable from your controller if it has one attached.

- 1 Remove the base of the controller by loosening the screw. Plug the end of the curly cable into the controller & reattach the base. Attach the controller onto the cardio equipment using the tie straps.
- 2 Connect the adapters to extend the IR signal over a cat5/cat6 cable. Stick the IR emitter over the IR eye on the front of the cable/sat box. Cover the IR emitter with the IR shield.
- 3 Plug the 3.5mm audio cable into the headphone jack of the cardio equipment.
- 4 Plug the power adapter into a standard 110v outlet or power strip.



D

CABLE/SAT BOX AWAY FROM CARDIO EQUIPMENT GET POWER WHERE CABLE/SAT BOX IS LOCATED AUDIO FROM AUDIO OUTPUT OF CABLE/SAT BOX



IMPORTANT! Please remove the single coiled cable from your controller if it has one attached.

- 1** Remove the base of the controller by loosening the screw. Plug the end of the curly cable into the controller & reattach the base. Attach the controller onto the cardio equipment using the tie straps.
- 2** Connect the adapters to extend the IR signal over a cat5/cat6 cable. Stick the IR emitter over the IR eye on the front of the cable/sat box. Cover the IR emitter with the IR shield.
- 3** Plug the audio cables into the audio output of the the cable/sat box.
- 4** Plug the power adapter into a standard 110v outlet or power strip.

