

Part #: CAB-MATRIX-ONYX

The Matrix Onyx XL and Onyx MAX console can control ANY cable, satellite or IPTV set top box using the CAB (console adapter box) from Broadcastvision Entertainment.



Onyx XL - 22"

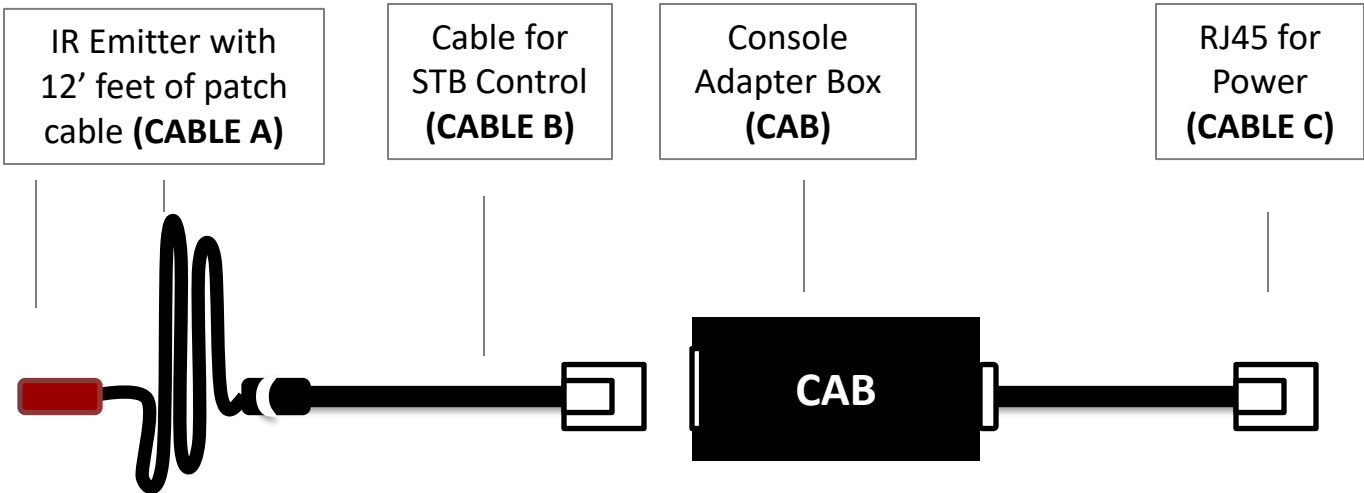


Onyx MAX - 32"

Benefits:

- Eliminates the hand-held battery operated remote control.
- Members can control the TV using cardio equipment console controls.
- An expensive head-end system is not required.
- Club operators can choose ANY cable, satellite or IPTV provider.
- TV channels are not restricted.
- Members can access all the channels available per your subscription.
- No troublesome wireless devices to manage.
- Proven Technology - Broadcastvision first offered a solution for set top box control in 2011 and is the clear-cut market leader in this technology.

CAB Configuration



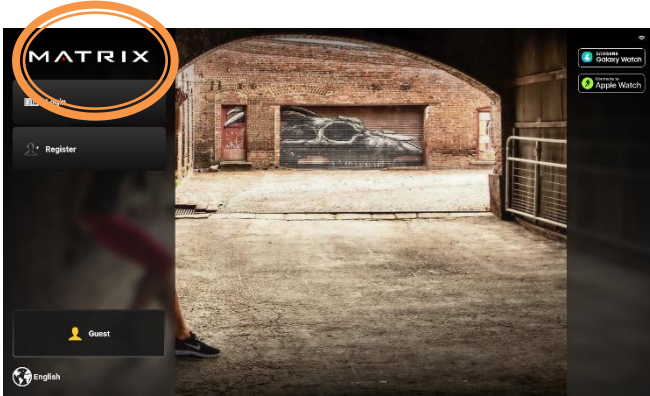
The CAB ships pre-configured by BVE for the target STB at customer facility. Normally no additional configuration steps are required. ***If the CAB does not work for any reason please call technical support at 1(888)330-4283 ext.3 before leaving the facility.*** BVE's technical support staff is happy to help troubleshoot your problems and get the CAB working properly.

The CAB contains 8 dip-switches internally. Normally these should all be in the **OFF position**. To help solve specific deployment compatibility challenges, BVE Technical Support may instruct that some of the switch positions be changed – see the Troubleshooting section at the end of this manual for common settings or call Broadcastvision technical support for additional assistance.

Note: The Broadcastvision CAB should always be installed after the cable/satellite service has already been installed/activated and you have a picture on the screen. If the Set Top Box (STB) is not available at the time of installation you can still run all of the wires and hook up the CAB, but you will not be able to test the CAB to make sure that it is changing channels on the STB.

Installation Instructions

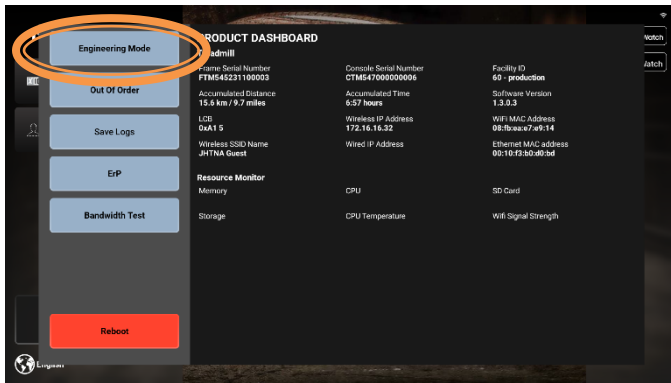
STEP 1 – Select and hold the MATRIX logo for 5 seconds.



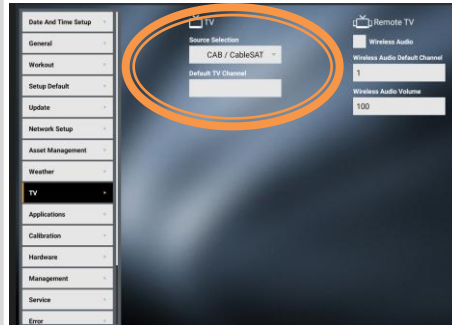
STEP 4 – Select TV.



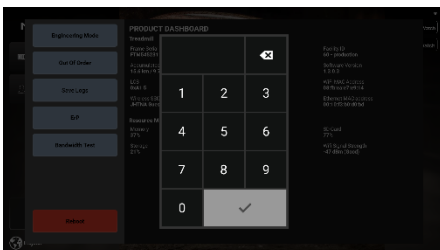
STEP 2 – Press Engineering Mode/Machine Settings.



STEP 5 – Select SOURCE SELECTION & choose CAB/CableSat from the drop down arrow.



STEP 3 – Enter 3 0 0 1 and Click the Checkmark



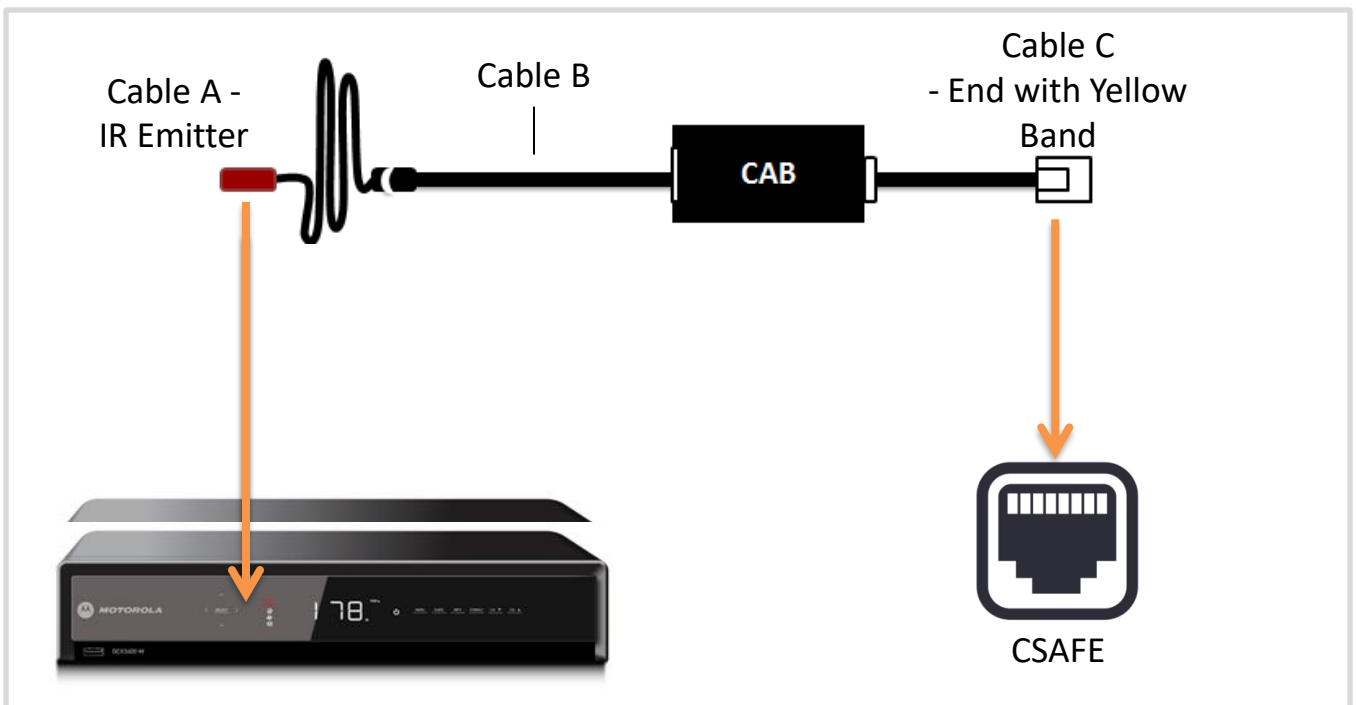
STEP 6 – Select HOME at the top left corner.



Installation Instructions

STEP 7 – Locate the CSAFE port on the equipment based on the type of machine (see images on the next two pages). Connect CABLE A and CABLE B to the CAB. CABLE A is the IR emitter. Attach it to the IR sensor (eye) on the front of the cable or satellite box. Place the IR shield over the emitter to help secure it to the set-top box (STB) and to prevent IR signal bleed. Next, plug CABLE C into the CAB. Then connect the yellow-banded end of the cable into the RJ45 port labeled CSAFE.

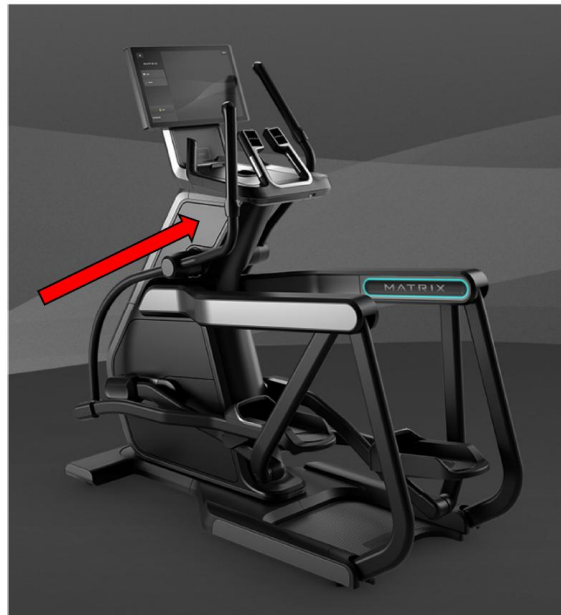
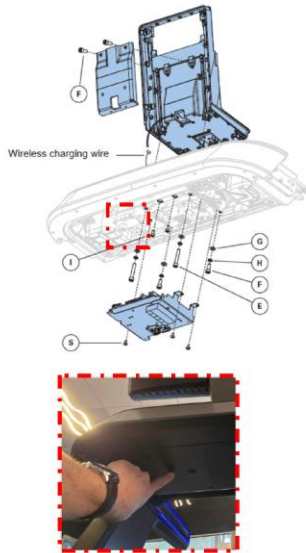
Note: If the cable/satellite box is remotely located, we include adapters to extend the signal over cat5/6 cable.



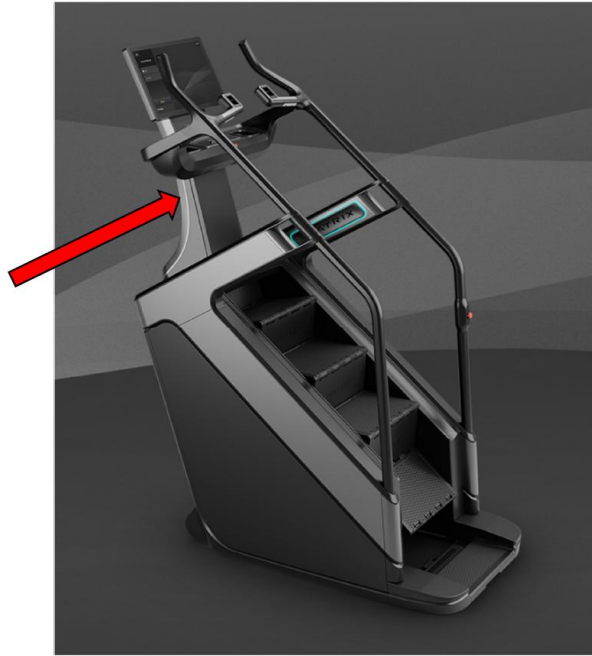
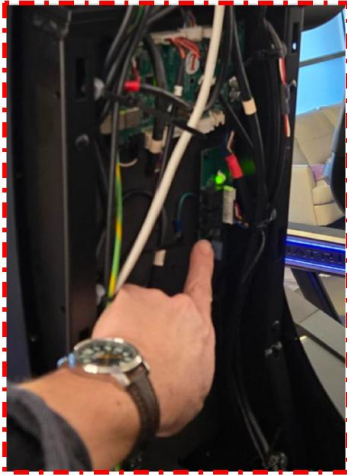
Note: If you cannot see where the IR eye is on the front of the STB, shining a flashlight at the front of the box will usually help you to see the IR eye. Please see the IR eye locations of some of the most common STB's below:



Installation Instructions - (CSAFE locations on equipment)



Installation Instructions - (Port locations on equipment)



Installation Instructions

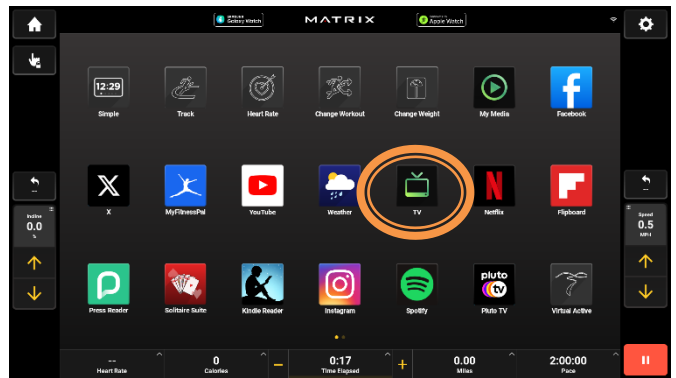
STEP 8 – Select GUEST.



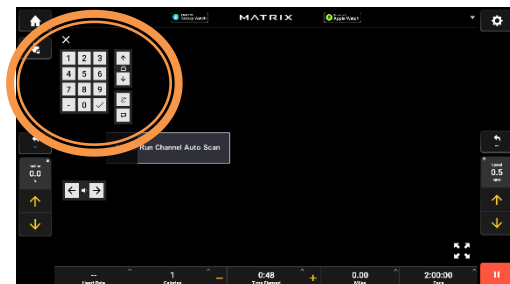
STEP 9 - Select GO.



STEP 10 – Select TV.



STEP 11 – Test TV controls to confirm operating correctly. The Entertainment Key Pad will appear each time you press the screen to control channel and volume.





broadcastvision
entertainment

MATRIX

Troubleshooting

Double button presses – Some set top boxes respond to more than one of the IR codes that we send out. If you notice that pressing a channel button on the console results in multiple channel changes, simply remove the 2 screws that hold the lid on the CAB and turn on dip switch 2 and 4. If this does not solve the problem, call (888)330-4283 ext.3 for further assistance.

No control over set top box

Check if CAB is getting power and channel commands from the console – CAB contains internal LED power lights. Two indicator LEDs are located on either side of the console-side connector inside the enclosure.

- **GREEN** - Power LED, on whenever the CAB is powered
 - **RED** - Activity LED, flashes whenever the CAB receives and processes commands
- The location of the LEDs is such that they should be visible through the enclosure around the CAB connector to the console.

Incorrect IR emitter placement – If the IR emitter is not in the correct location on the front of the box you may need to move it around until you find the location that works.

Tip: Try initially holding the IR emitter away from the front of the STB initially then continue pressing the channel button while “zeroing in” on the correct IR emitter placement.

Set top box is in RF mode – change to IR mode – Many set top boxes can operate with a hand-held remote in RF or IR mode. For the CAB to function, it is critical that the STB accepts IR channel commands. To test if the STB is in RF mode, place your hand over the hand-held remote control IR transmitter and see if the STB receives channel change commands. If the answer is yes, the STB is in RF mode. Check online for instructions to change the STB remote control mode from RF to IR.

BVE Technical Support

Tel: 888.330.4283 x 3 Support@Broadcastvision.com

Troubleshooting (continued)

No control over set top box (continued)

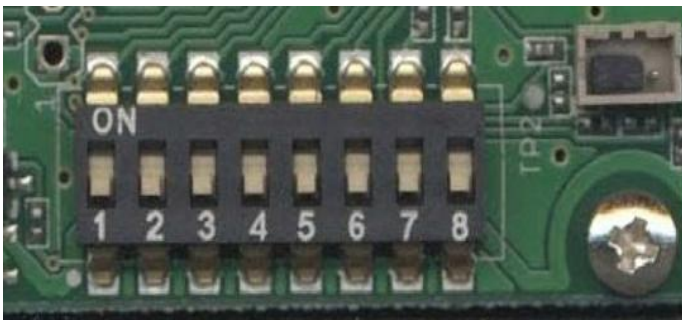
IR signal strength issue – In rare circumstances, the CAB may output too strong of an IR signal for the set top box IR receiver. To test if the IR emitter is over-driving the set top box receiver, pull the emitter away from the front of the set top box, and press the channel button to see if the set top box now receives the channel.

No Continuity between CAB and IR emitter – In some circumstances utilizing the “Far” set top box scenario, the CAT5/6 cable between the set top box and the CAB may not provide full continuity through wall plates etc. It may be helpful to re-locate the STB at the base of the cardio and re-test. Or, it may be helpful to temporarily run an alternate CAT5/6 cable from the CAB to the set top box then re-test.

CAB not programmed for the correct set top box - Your CAB is defaulted for Broadcastvision’s popular “Unicode” setting which provides control of the most popular cable, satellite and IPTV set top boxes.

The CAB can be quickly configured on site to operate other popular set top boxes by flipping dip switches inside the CAB enclosure as pictured below. All CABs are shipped pre-programmed what we call unicode. Unicode works with most of the well known providers. If for some reason the CAB is not operational, please call Broadcastvision support at **888.330.4283 x 3** to determine the dip switch settings for your cable, satellite, or IPTV provider.

Note: When the CAB is shipped pre-programmed, the dipswitch setting will be in the OFF position.





broadcastvision
entertainment

MATRIX

Terms and Conditions

BVE Stock Items Returned for Credit

BVE manufactured products may only be returned for credit with written authorization from BVE within 30 days of the original invoice date. A 25% restocking fee will be charged for all returns. All products being returned to BVE require a Return Authorization number. Products must be returned in original condition with the original packaging, components and support material. Credit is contingent upon inspection of returned items.

Return Authorizations

A Return Authorization number must be issued from BVE prior to any item being returned for credit, repair or exchange. Items returned without approval will be refused and returned to the sender. Requests for a Return Authorization number may be made to our Customer Service Department at 1-888-330-4283.

Repairs and Replacements

A warranty repair of BVE manufactured product includes parts, labor and the return GROUND shipping to the customer. Repairs made while under warranty are covered for the duration of the valid warranty period. Non-Warranty repairs receive a "Repair Warranty" of 90 days parts and labor only. Warranties do not include on-site service. Advance Replacements of items in question may be arranged if the product is within 30 days of invoice date and is subject to product availability. Advance Replacements must be secured by the customer with a valid Credit Card or Net30 terms of an account in good standing.

Shipping

Shipping dates are estimates only. Products will be shipped per the designated Shipping Method. Paying for an accelerated Shipping Method only indicates the product will ship by that method when the product or repair is available. BVE will not be held responsible to accelerate shipping, discount invoices or compensate customers for loss of profits, business or goodwill due to back orders, shortages, shipping complications, damages, product malfunction, labor, construction, nature or delays.

Warranties

All products sold by BVE carry the original manufacturers' warranty. Warranty begins on the invoice date of purchase from BVE or an authorized BVE Dealer / Distributor. Warranty may alternately begin on the date of installation with a valid Installation Completion Form from an authorized BVE Dealer, Distributor or Installer. Warranties do not cover damage due to abuse, misuse, modification or the result of any third party. Warranties are not transferable and cover only the original purchaser with a valid invoice. Manufacturers will, at their option repair or replace equipment, as they deem necessary. Warranties do not include "on-site" service.

BVE Technical Support

Tel: 888.330.4283 x 3 Support@Broadcastvision.com